

LK External Sensor S1

Length 4 m Article no 241 72 94

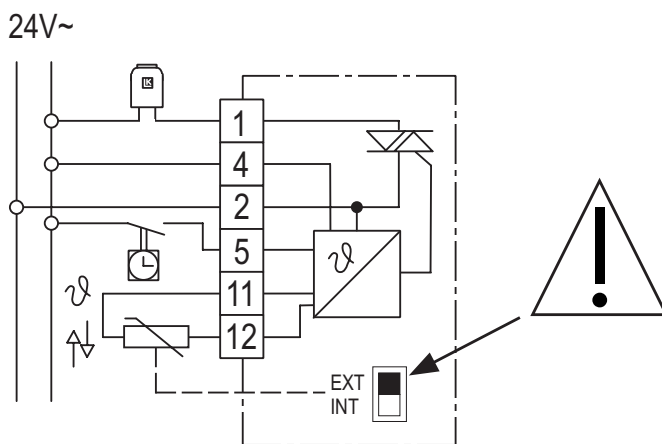
LK External Sensor S1 is intended to be used with LK Room Thermostat S1 EXT or LK Room Thermostat S1 Dti when the floor temperature is to be controlled. Connect the sensor as described below.

1. Connect the external sensor to connection 11 and 12 in the thermostat, see connection schematic.
2. Change the Switch on the PCB board from INT to EXT, for external sensor.
3. If necessary the external sensor can be extended up to 50m. Use same cable area or larger. Note! Avoid routing parallel close to mains cable.



For information about placement in floor constructions, see inside the attached instruction for the Room Thermostat.

Error indication: If the LED flashes, this indicates a broken contact with the external sensor, e.g. a cable break.



Resistance table for sensor NTC 47kOhm

Temp	0°C	10°C	20°C	25°C	30°C	40°C	50°C
kΩ	155,48	94,38	58,91	47,00	37,73	24,75	16,60

NOTE!
Remember to set the Switch inside the Thermostat to EXT for connected external sensor.