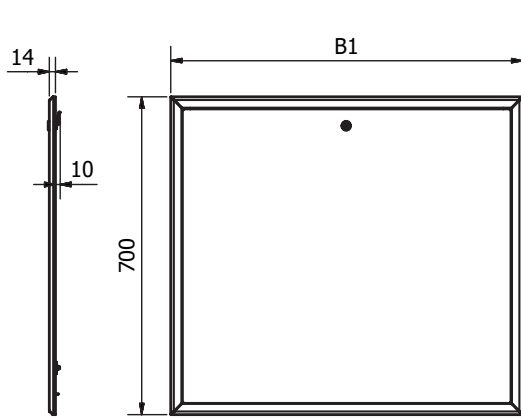
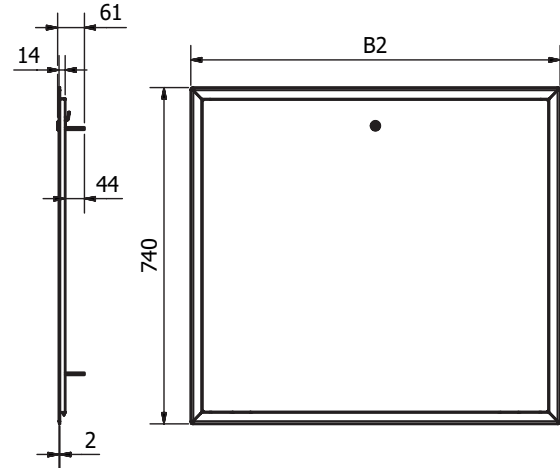


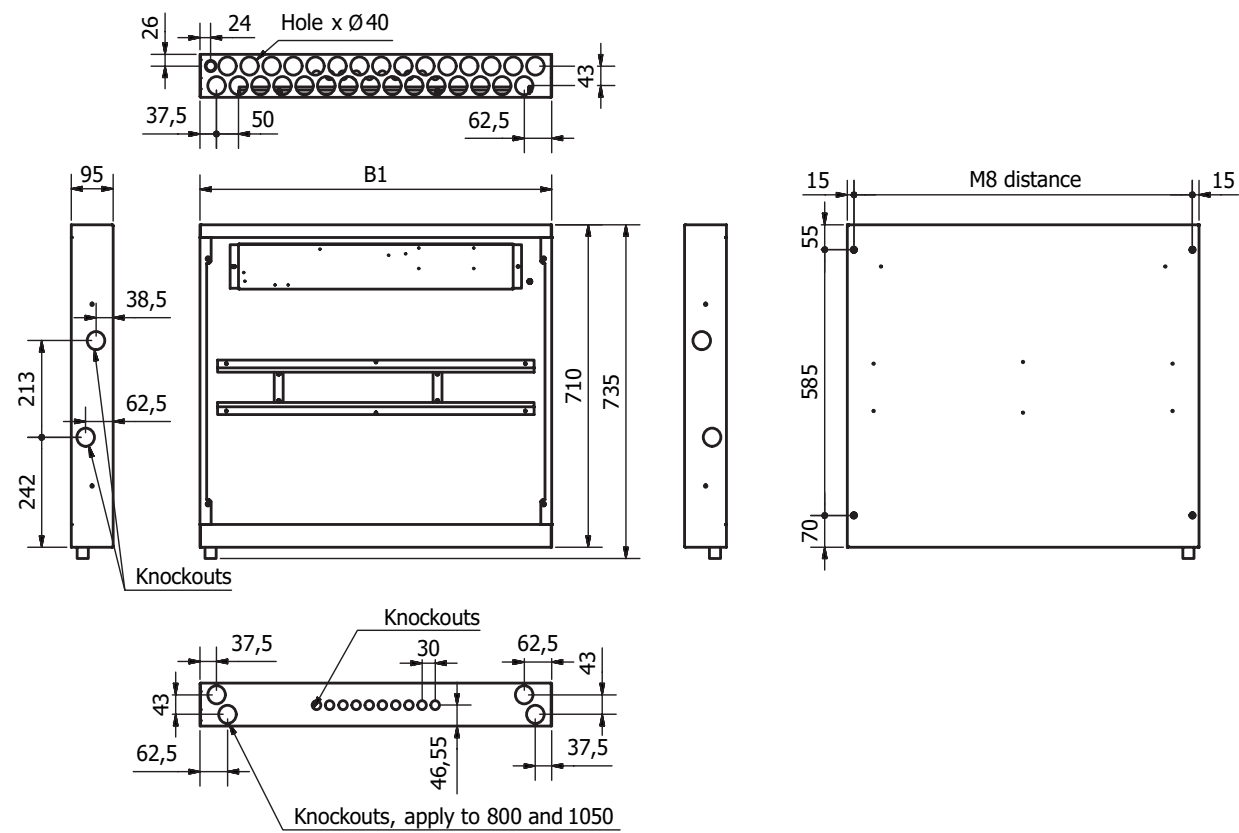
LK Frame/hatch UFH, UTV



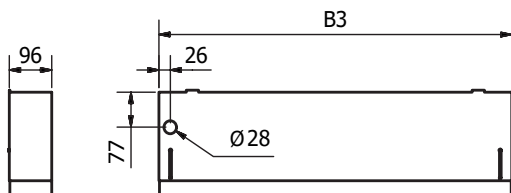
LK Frame/hatch UFH, INB



LK Manifold Cabinet UFH



LK Base



Cabinet type	B1 mm	B2 mm	B3 mm	No of holes	M8 distance
550	550	590	553	20	520
800	800	840	803	30	770
1050	1050	1090	1053	40	1020

